

RINGFEDER®
RF50 B NZ MSD ND,
5050 B NZ MSD ND





EN Installation



EN Dismantling



EN Function check



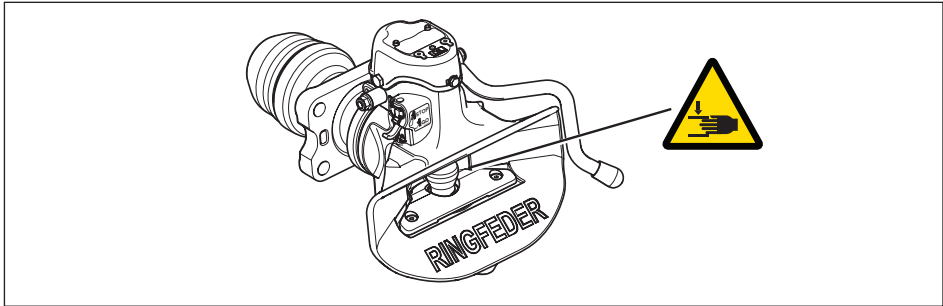
EN Pinch point!



EN Visual check

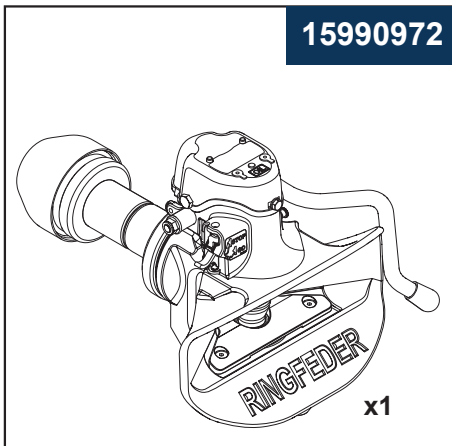
EN General

Identify all parts before installation. Installation and service shall be carried out carefully and professionally.



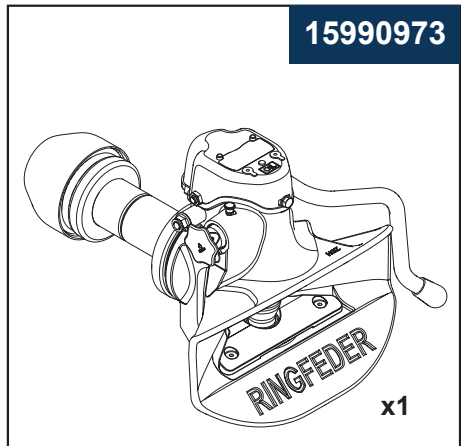
RF 50 B NZ MSD ND

15990972



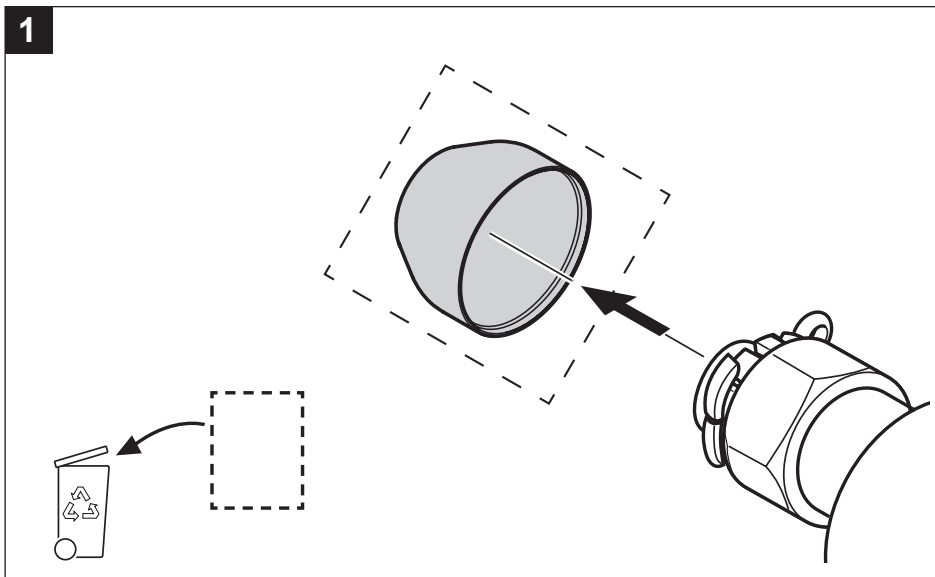
5050 B NZ MSD ND

15990973

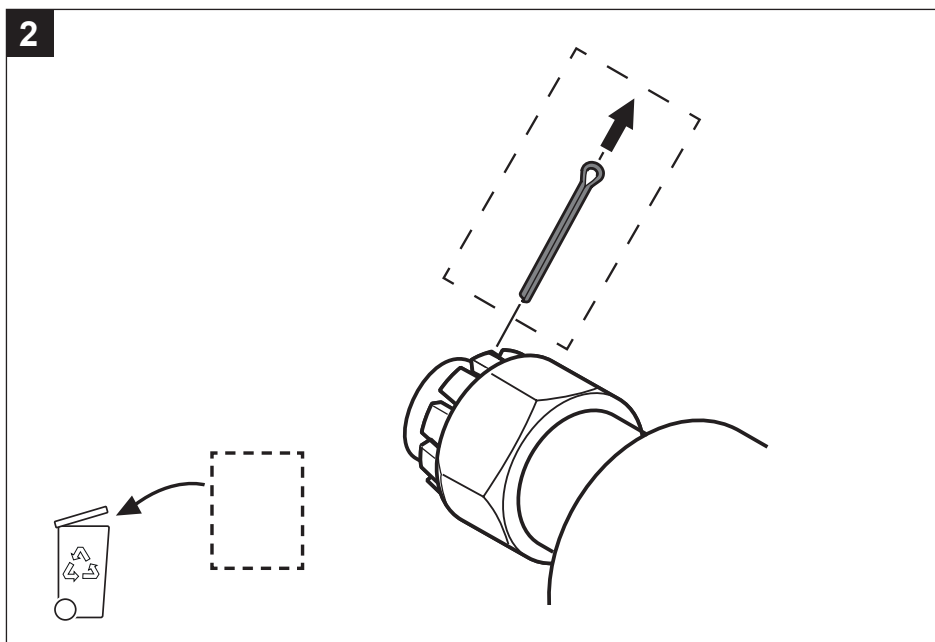




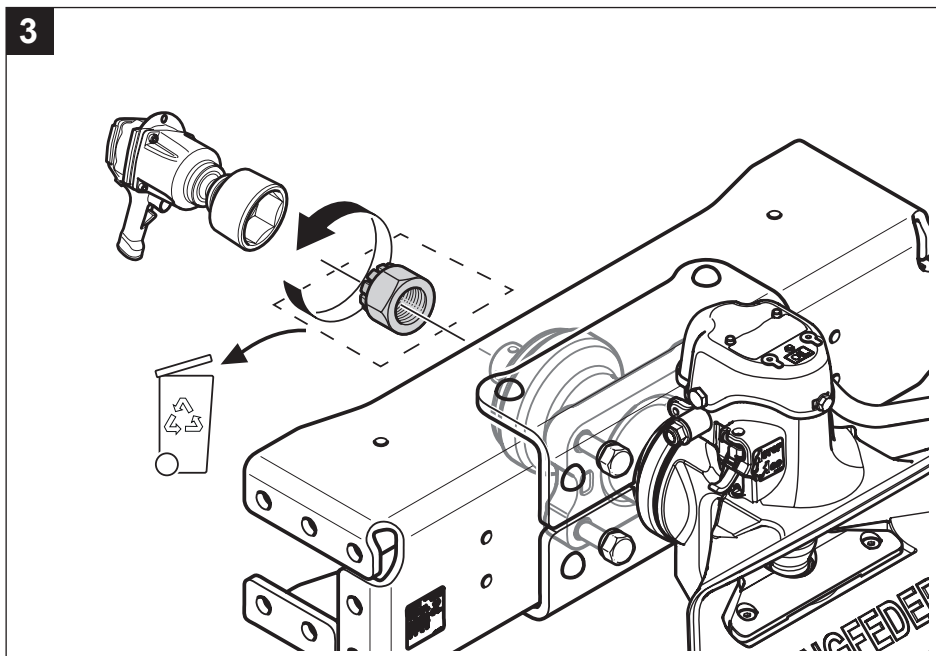
1



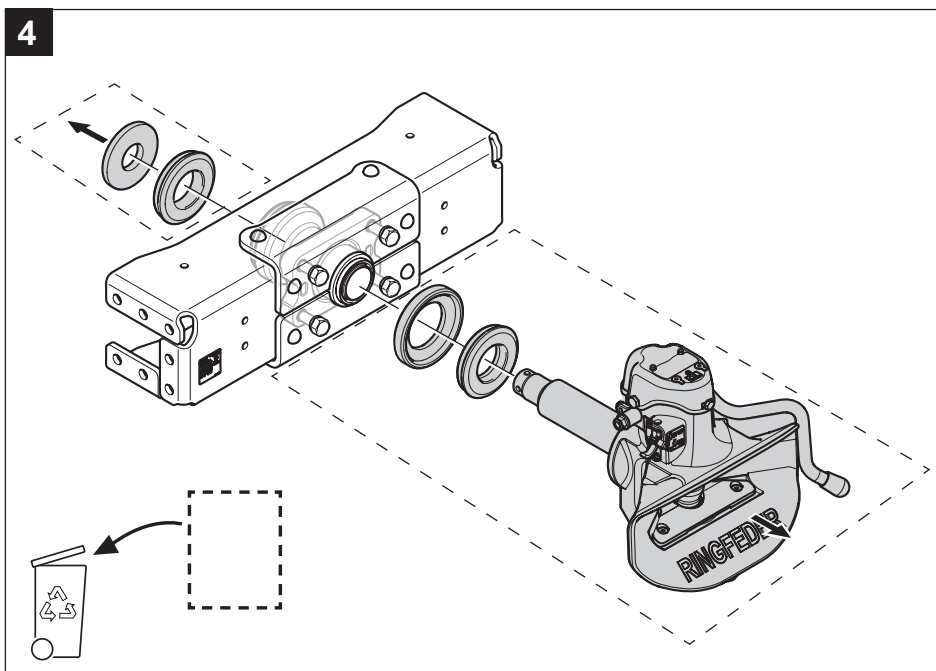
2



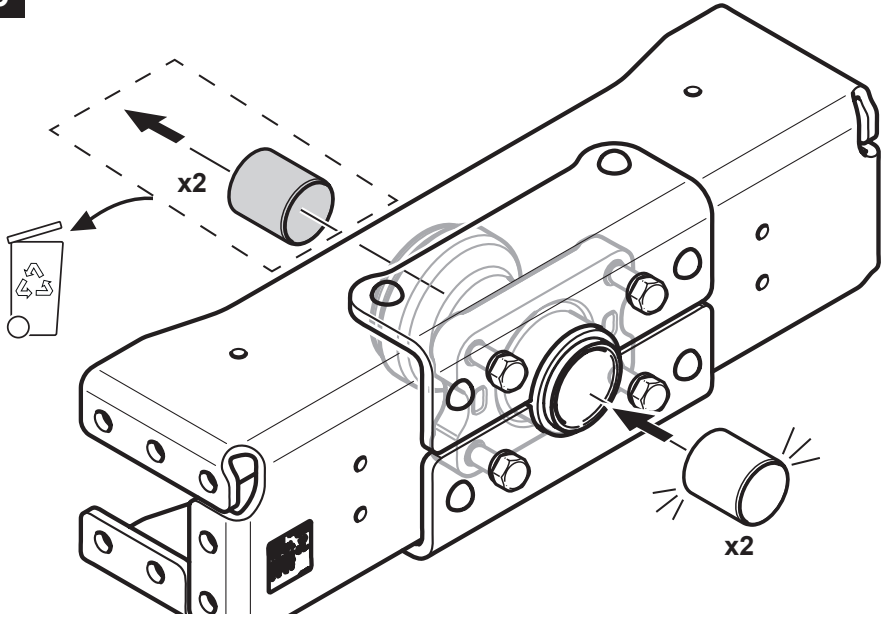
3



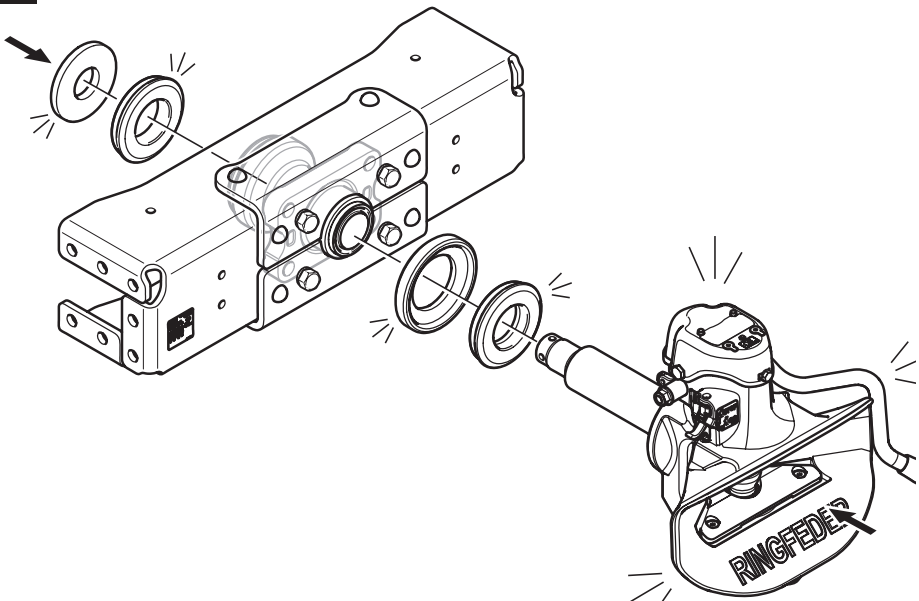
4

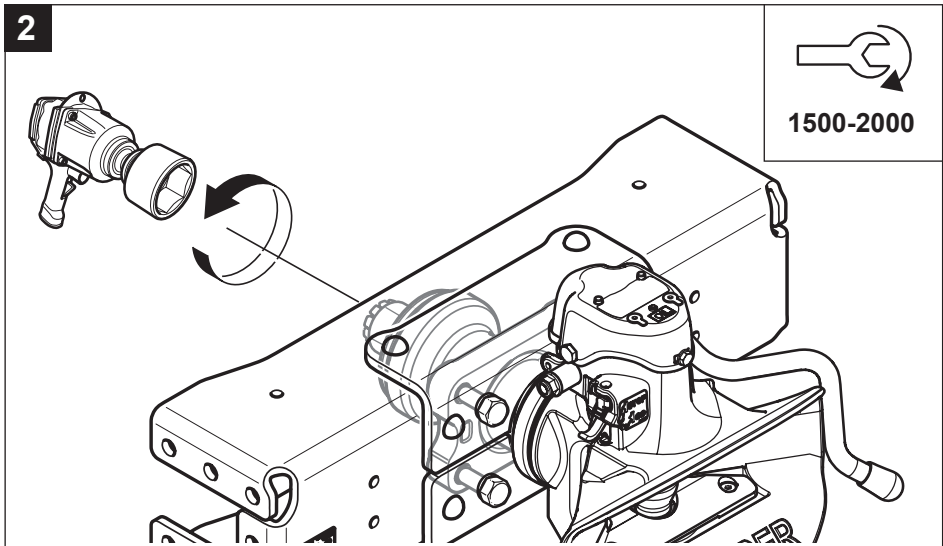
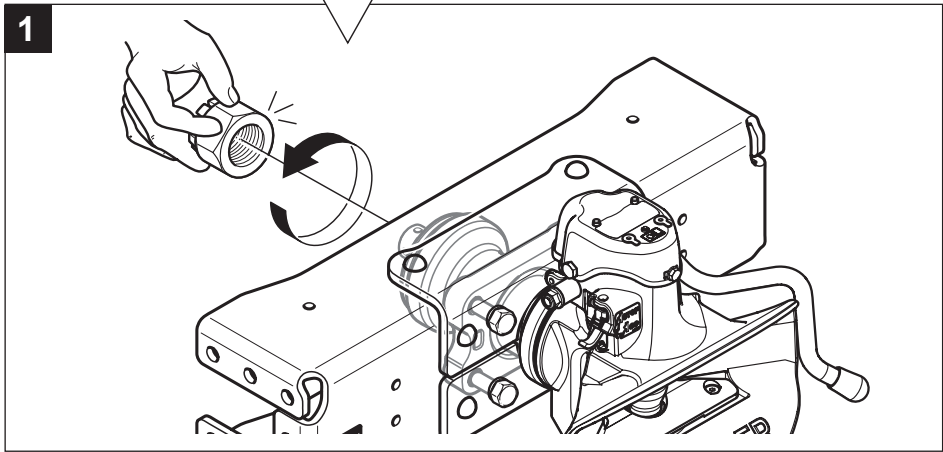
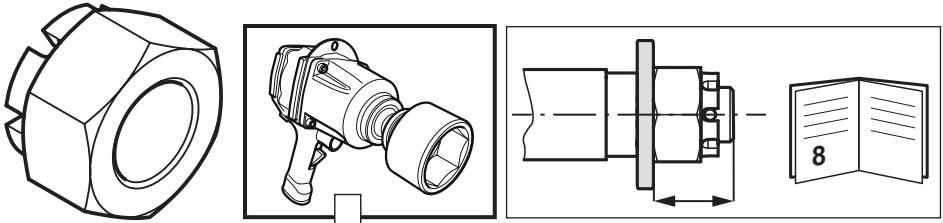


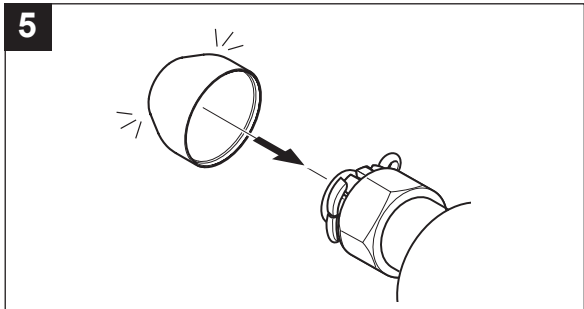
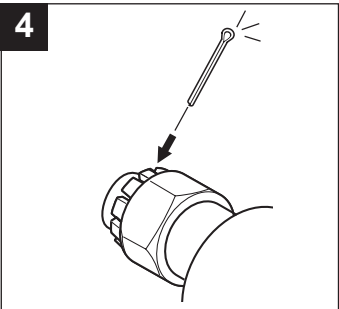
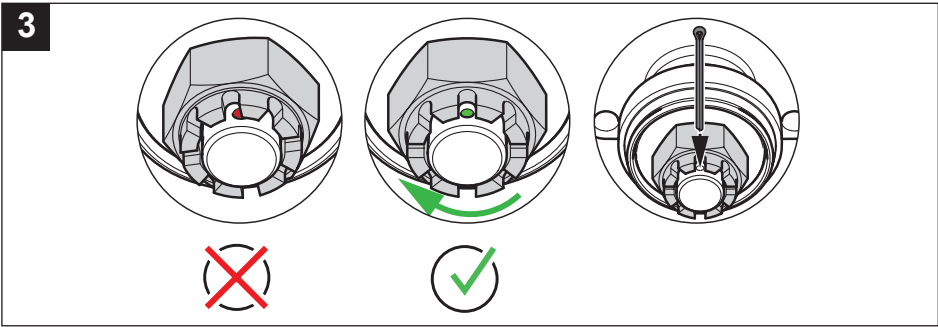
5

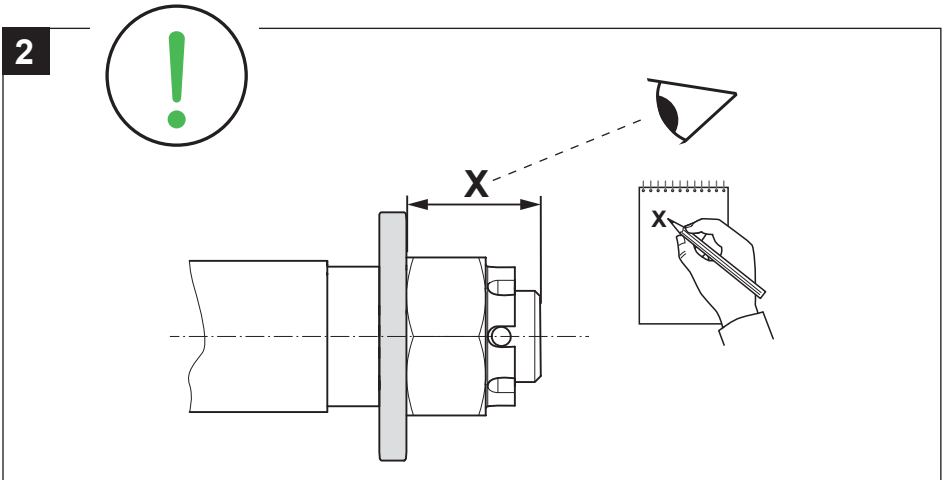
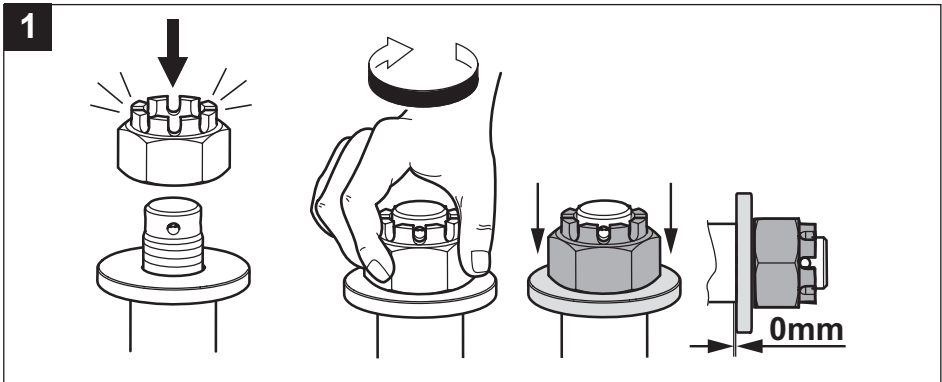
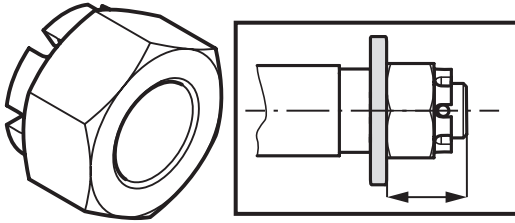


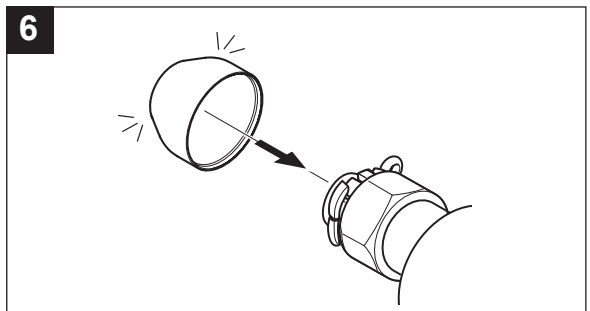
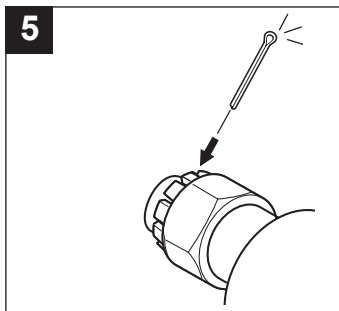
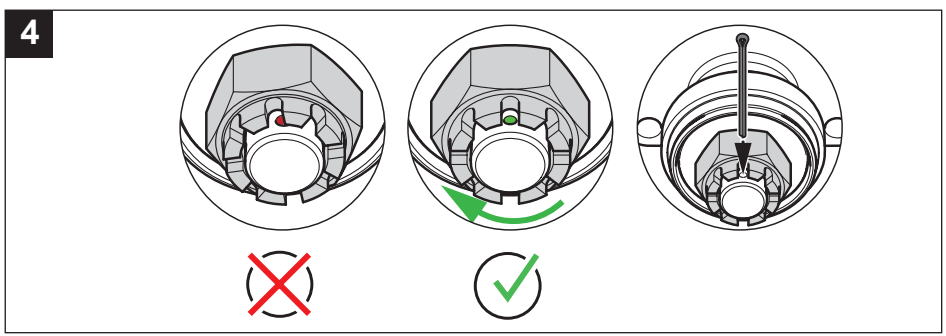
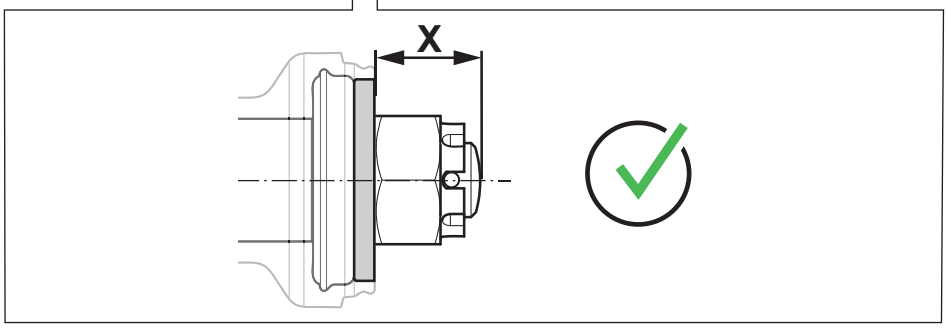
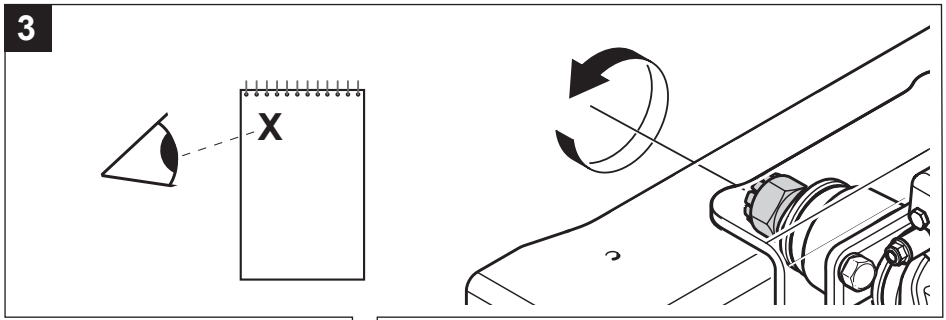
6





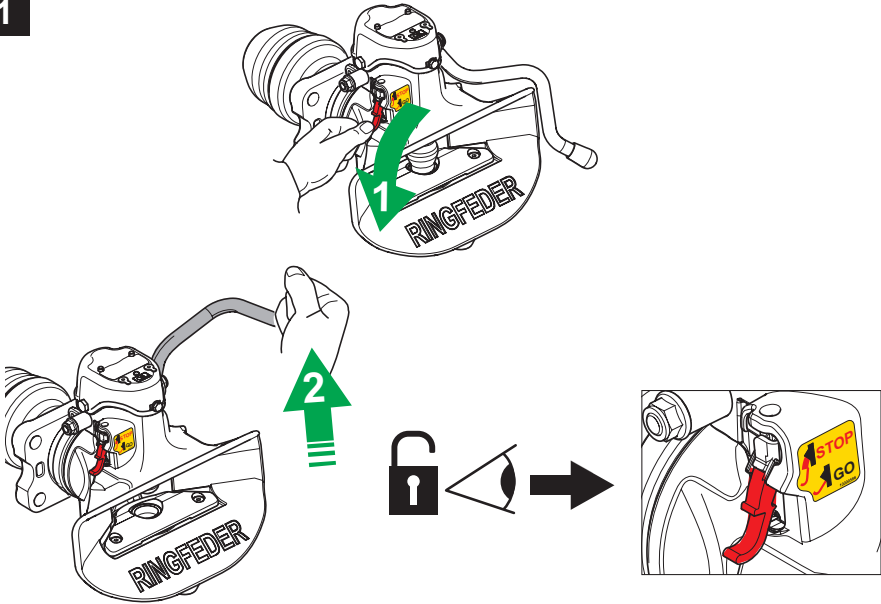




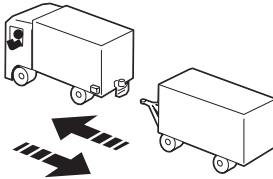




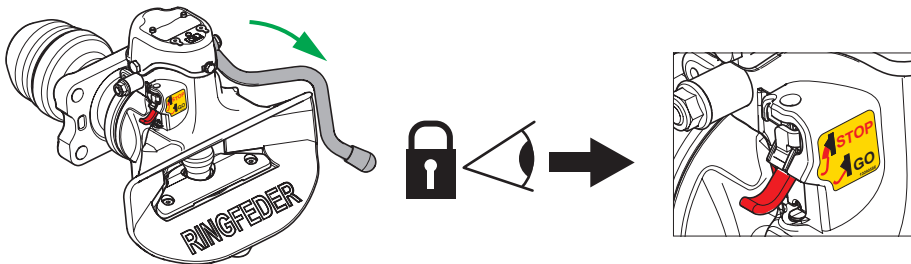
1



2

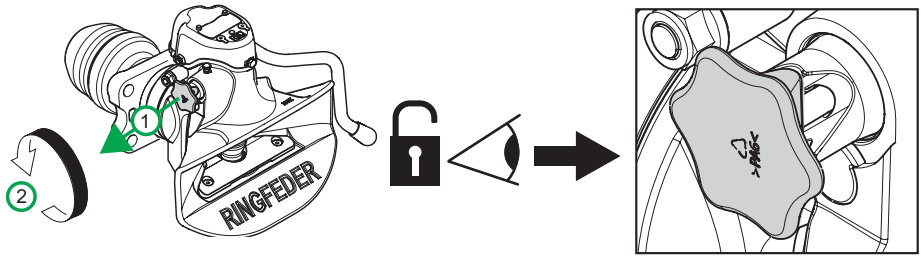


3

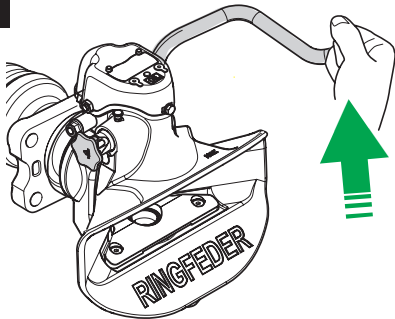




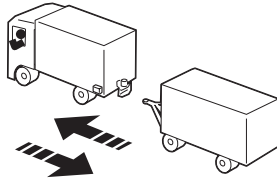
1



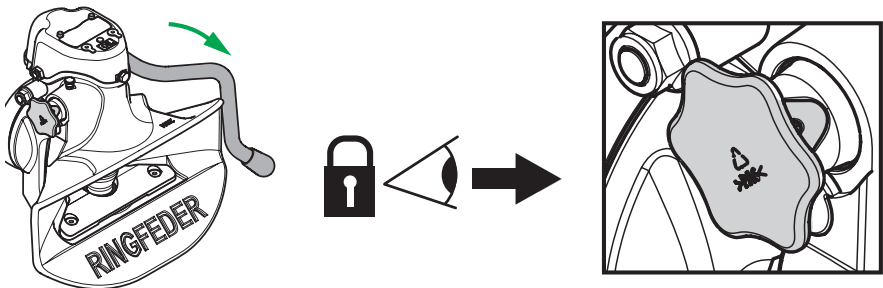
2



3



4





Produced in a certified company

VBG GROUP TRUCK EQUIPMENT GMBH · Girmesgath 5 · D-47803 Krefeld
www.ringfeder-rf.com

 MEMBER OF VBG GROUP